

CUSTOMER: _____ DATE: ___/___/___

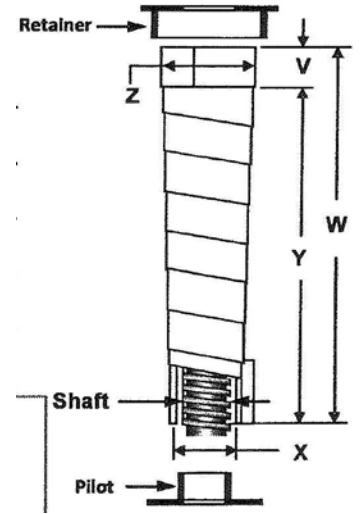
CONTACT: _____ PHONE: _____

ADDRESS: _____ FAX: _____

DETERMINE YOUR SIZE REQUIREMENTS

| COVER DIMENSIONS | INCHES | MM |
|--|--------|-------|
| Diameter of shaft, screw or rod | _____ | _____ |
| X is the insider diameter = shaft + 8mm | _____ | _____ |
| W is the extended length = maximum exposed length of shaft | _____ | _____ |
| V is the compressed length = minimum exposed length of shaft | _____ | _____ |
| Z is the outside diameter = maximum allowable area | _____ | _____ |

Tolerances: X +/- 1mm. "Z" +/- 2mm
or "Z" .094 - .000, "Z" + .000, - .125



| | |
|----------------------|----------------|
| Material: Blue Steel | _____ |
| Stainless Steel: | _____ |
| Pilot: Yes | _____ No _____ |
| Retainer: Yes | _____ No _____ |

DESCRIBE YOUR APPLICATION

Installation of Cover

- Over End Open Wound

Position of Cover

- Horizontal Vertical
 Angular Variable

Operation Conditionc for Cover

- Indoor Magnetic Field
 Outdoor Oven / Furnace
 Wet Corrosive
 Dry Abrasive

Contamination By

- Oxides / Sand Coolant
 Dust Ash / Welding Sparks
 Oil Salt Water
 Chips & Swarf Woods Chips / Sawdust

Other: _____

Working Temperatures

Max _____ Min _____

Details: _____

Speed of Stroke: _____

Frequency of Operation

Cicles per Minute: _____

Cicles per Day: _____

Pressure Internal: _____

Pressure External: _____

Any Other Condition:

Quantities Needed: _____

Please fax to the closest locations

USA

Rockford, IL
Tel.: (815) 962-2899
Fax.:(815) 962-2897

Murrieta, CA
Tel/Fax.: (951) 894-1816

CANADA

St. Thomas, ON
Tel.: (519) 765-3899
Fax.:(519) 765-3898

MEXICO

Santa Catarina, NL
Tel.: (81) 83-6688
Fax.: (81) 8388-6677

BRASIL

Sao Jose dos Pinhais, PR
Tel/Fax.: (41) 3398-0800